



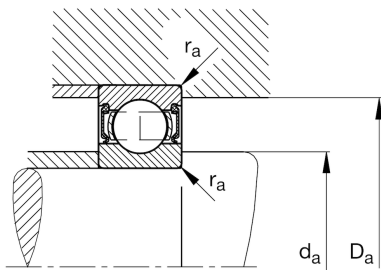
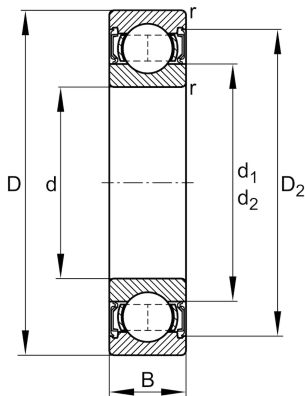
FAG

6030-2RSR

Deep groove ball bearing

Schaeffler ID:
0607629000000Deep groove ball bearing 60...-2RSR,
single row, seals, steel sheet metal cage

Technical information

**Main Dimensions & Performance Data**

d	150 mm	Bore diameter
D	225 mm	Outside diameter
B	35 mm	Width
C_r	131.000 N	Basic dynamic load rating, radial
C_{0r}	124.000 N	Basic static load rating, radial
C_{ur}	5.600 N	Fatigue load limit, radial
n_G	1.540 1/min	Limiting speed
	4,3 kg	Weight

Dimensions

r_{min}	2,1 mm	Minimum chamfer dimension
D_2	206 mm	Caliber diameter outer ring
d_1	173,9 mm	Shoulder diameter inner ring

Mounting dimensions

$d_{a min}$	160,2 mm	Minimum diameter shaft shoulder
$D_{a max}$	214,8 mm	Maximum diameter of housing shoulder
$r_{a max}$	2,1 mm	Maximum fillet radius

Calculation factors

f_0	16	Calculation factor
-------	----	--------------------

Temperature range

T_{min}	-20 °C	Operating temperature min.
T_{max}	100 °C	Operating temperature max.